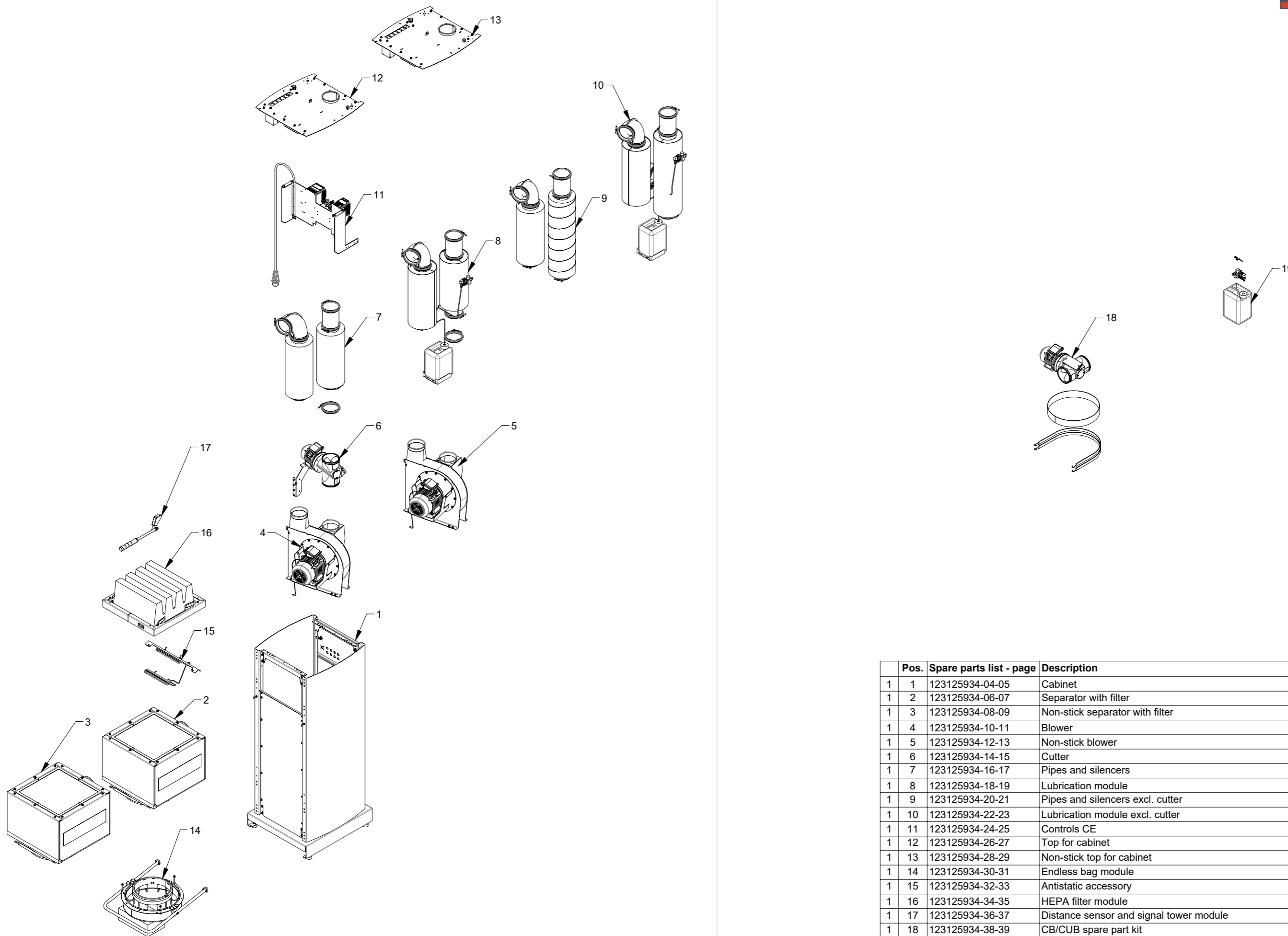


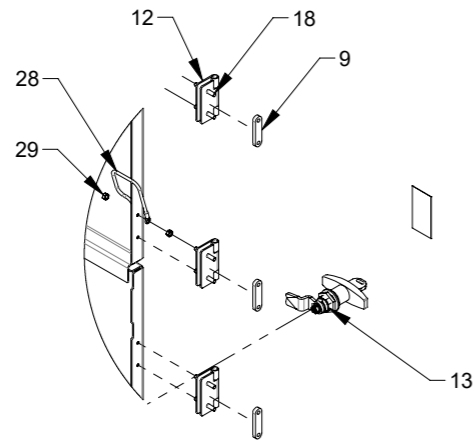
# **Compact Unit CB-120/140**

All-in-one unit

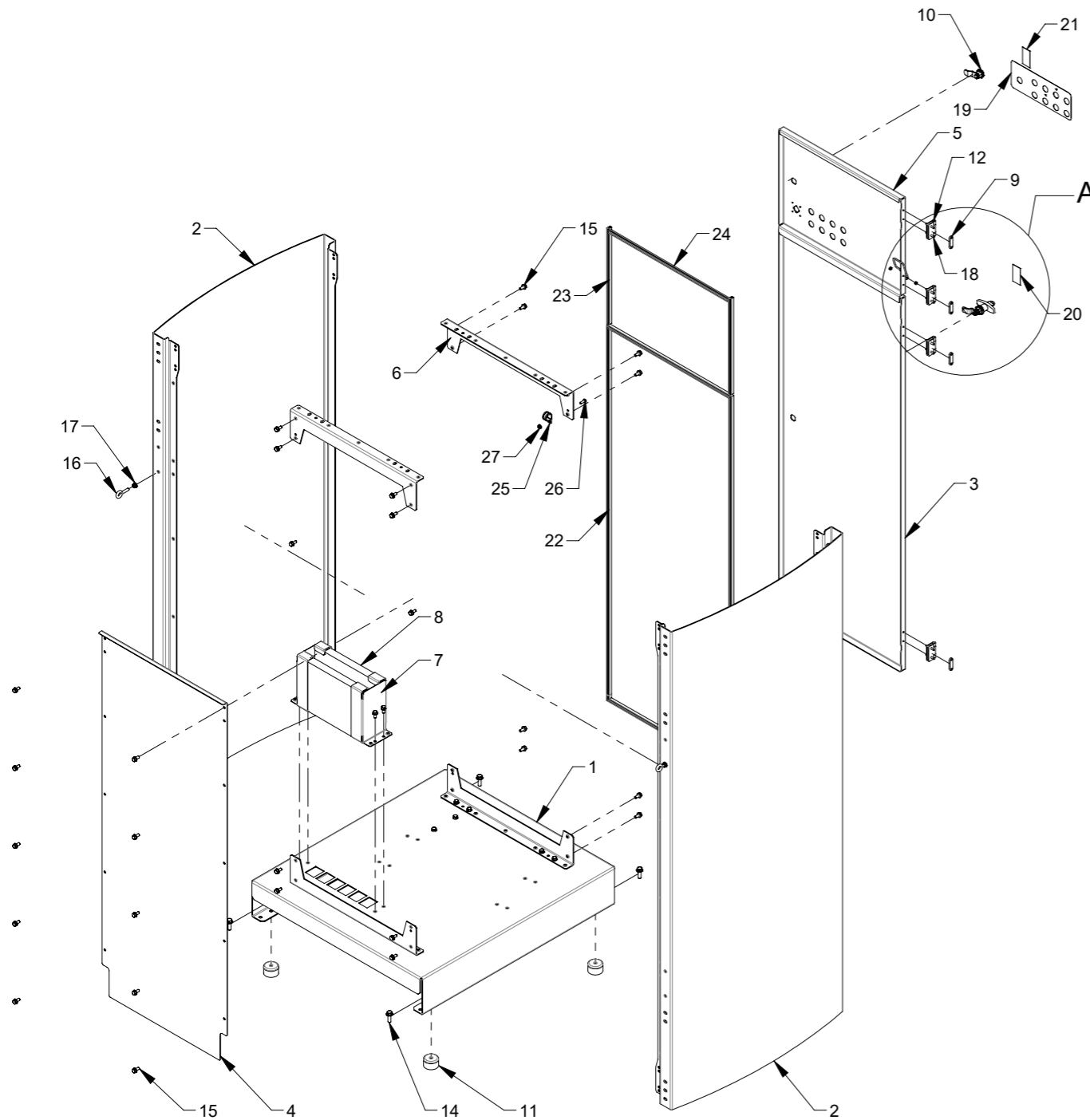




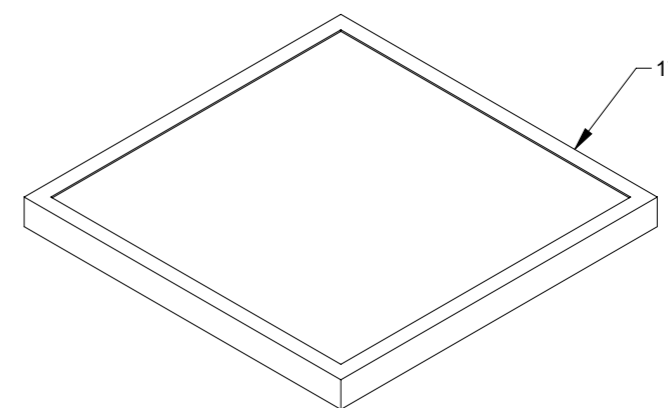
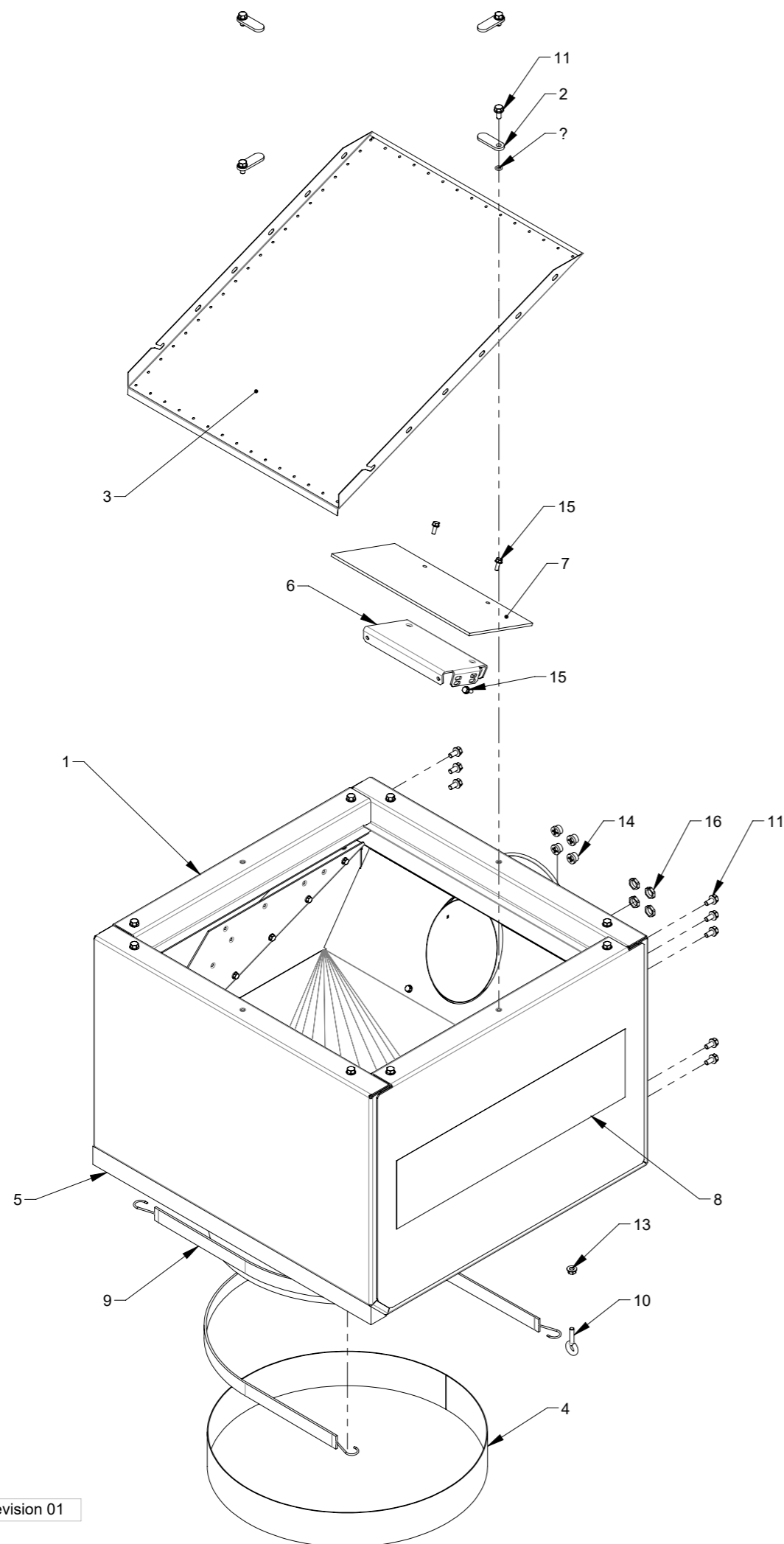
Pos.	Spare parts list - page	Description
1	1 123125934-04-05	Cabinet
1	2 123125934-06-07	Separator with filter
1	3 123125934-08-09	Non-stick separator with filter
1	4 123125934-10-11	Blower
1	5 123125934-12-13	Non-stick blower
1	6 123125934-14-15	Cutter
1	7 123125934-16-17	Pipes and silencers
1	8 123125934-18-19	Lubrication module
1	9 123125934-20-21	Pipes and silencers excl. cutter
1	10 123125934-22-23	Lubrication module excl. cutter
1	11 123125934-24-25	Controls CE
1	12 123125934-26-27	Top for cabinet
1	13 123125934-28-29	Non-stick top for cabinet
1	14 123125934-30-31	Endless bag module
1	15 123125934-32-33	Antistatic accessory
1	16 123125934-34-35	HEPA filter module
1	17 123125934-36-37	Distance sensor and signal tower module
1	18 123125934-38-39	CB/CUB spare part kit
1	19 123125934-40-41	CB/CUB non-stick oil accessory kit



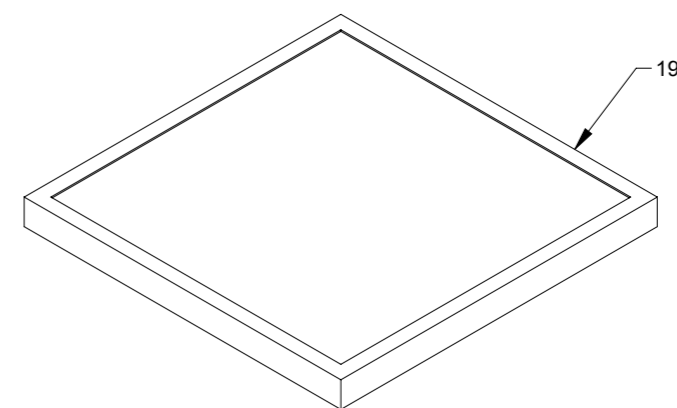
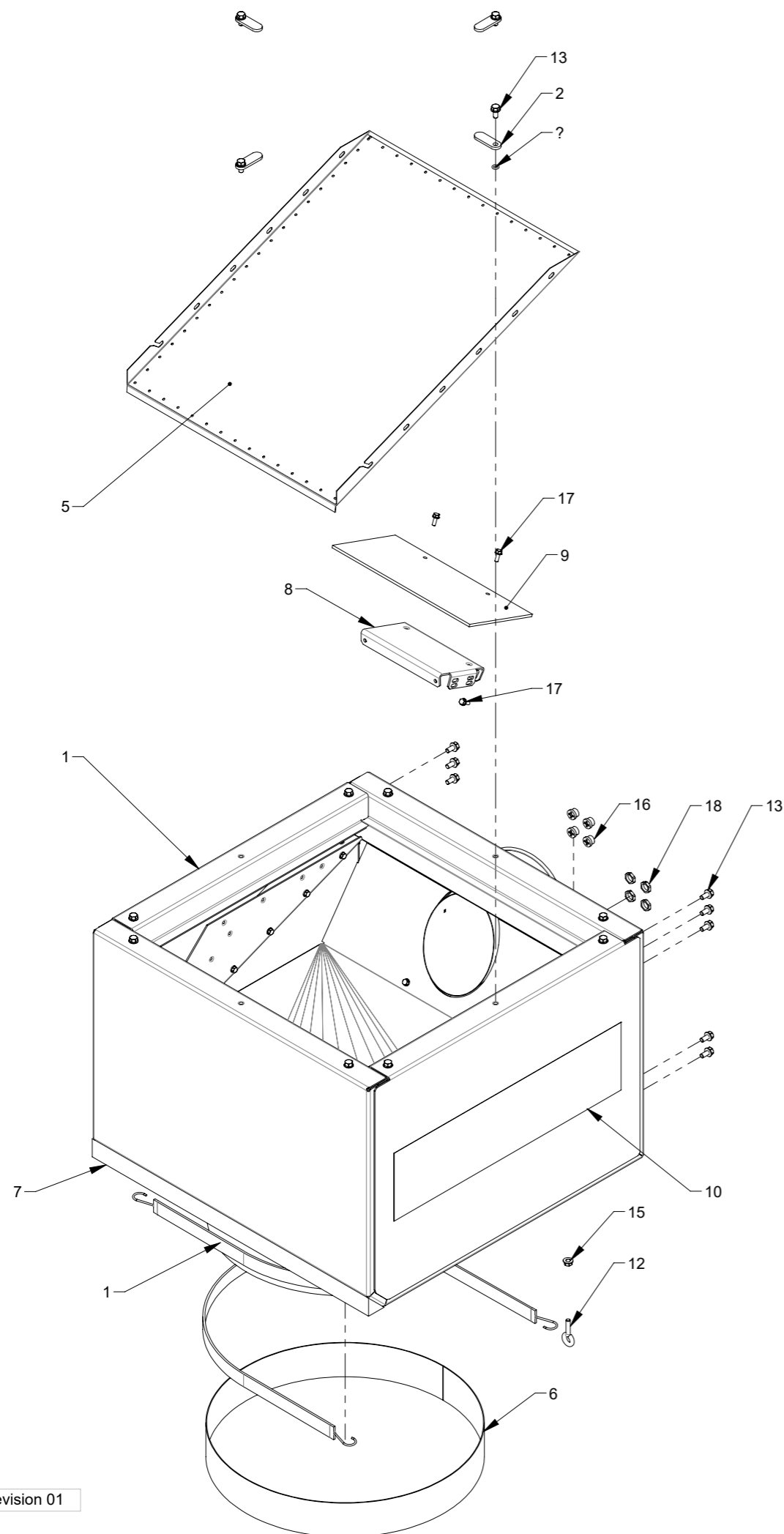
DETAIL A (1 : 10)



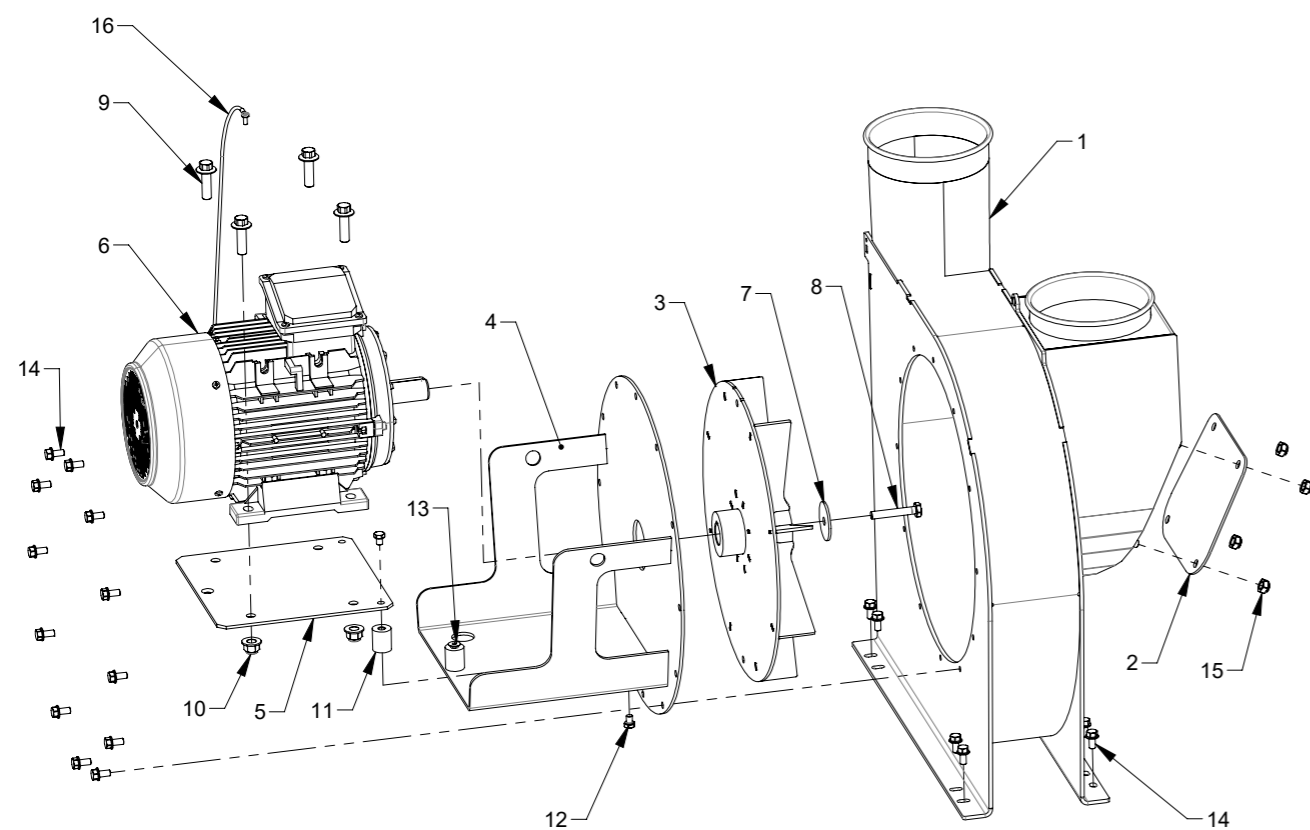
Pos.	Pcs.	Part no.	Description
1	1	123125200	Bottom frame, anthracite grey
2	2	123125201	Sidepanel, signal red
3	1	123125202	Door, anthracite grey
4	1	123125158	Rear panel, anthracite grey
5	1	123125204	Door for controls, anthracite grey
6	4	123125151	Mounting bracket
7	2	123125155	Sound dampener bracket
8	2	123125156	Silencer foam
9	4	123125170	Threaded bracket for hinges
10	1	100323489	Turnlock Klee CQ/T-M22x1,5-45-30 with key
11	4	100323329	Vibration damper Ø50x35
12	4	123125117	Hinge for door, black
13	1	100323486	Door latch GN 115-SCT-30-SW with key
14	4	100308173	Flange set screw M10x30mm DIN 6921, elgalvanized
15	42	100323453	Thread forming flange screw M8x16 DIN 7500D
16	2	100323301	Eye Bolt M8 X 30
17	2	100316098	Flange nut without teeth M8 DIN6923 elgv
18	16	100321060	Countersunk screw M5x16 ISO 14581elgalv.
19	1	123125953	Label "Operator panel", black on white
20	1	121115071	Label "Read users manual", black on yellow
21	1	121115073	Label "Disconnect electricity before service", black on yellow
22	1	100203165	Edge sealing for door
23	2	100203165	Edge sealing 1 for controls door
24	1	100203166	Edge sealing 2 for controls door
25	1	100420022	Rubberclamp HD 1300-5
26	1	100321016	Round head screw M6X20-T30 ELGV. DIN7985
27	1	100316075	Flange nut with threadlock M6 DIN 6927
28	1	123125298	Earthing wire for door with ring terminals
29	2	100315005	Nut M5 ISO 4032



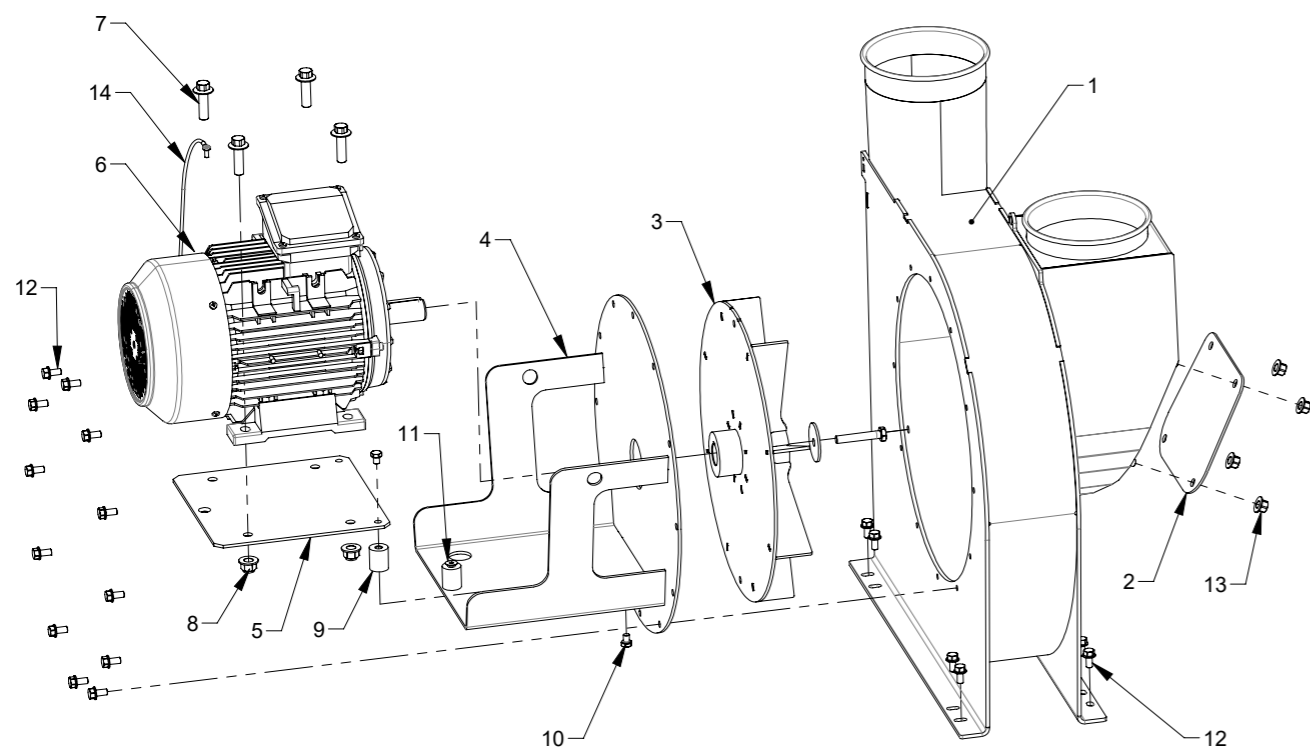
Pos.	Pcs.	Part no.	Description
1	1	123125457	Separator for net, Anthracite grey
2	4	123125157	Locking plate for filter
3	1	123125220	Screen 22° welded
4	1	123125190	EPDM band for cyclone
5	1	123125191	Protection profile
6	1	123125472	Guiding plate bracket
7	1	123125473	Guide plate
8	2	123125950	Label "MATHO PART OF KONGSKILDE", white/red cut
9	2	100323496	Rubberstrap with hooks 120cm black
10	4	100323301	Eye Bolt M8 X 30
11	22	100323453	Thread forming flange screw M8x16 DIN 7500D
12	4	100413068	O-ring Ø7,6 x 2,62
13	4	100316098	Flange nut without teeth M8 DIN6923 elgv
14	4	100511306	Blind plug M16x1,5 Plastic
15	17	100323450	Thread forming flange screw M6x16 DIN 7500D
16	4	100511245	Nut M16X1,5 plastic
17	1	100203148	Prefilter 3GPA 592x592x48-F7-0-VEX



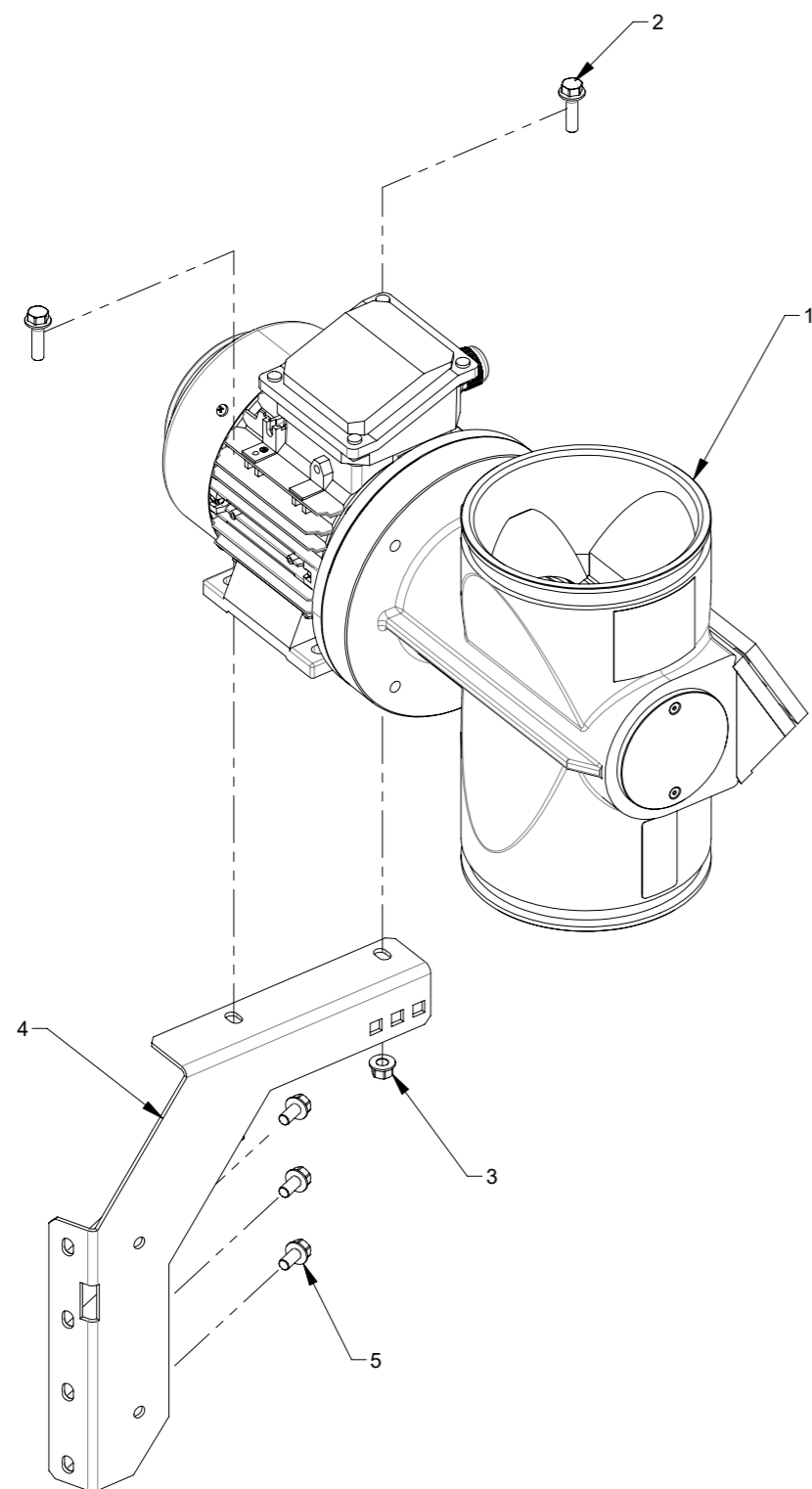
Pos.	Pcs.	Part no.	Description
1	1	123125456	Non-stick separator for net, anthracite grey
2	4	123125157	Locking plate for filter
3	1	123125220	Screen 22° welded
4	1	123125468	Screen frame 22°
5	1	123125219	Net for 22° screen
6	1	123125190	EPDM band for cyclone
7	1	123125191	Protection profile
8	1	123125472	Guiding plate bracket
9	1	123125473	Guide plate
10	2	123125950	Label "MATHO PART OF KONGSKILDE", white/red cut
11	2	100323496	Rubberstrap with hooks 120cm black
12	4	100323301	Eye Bolt M8 X 30
13	22	100323453	Thread forming flange screw M8x16 DIN 7500D
14	4	100413068	O-ring Ø7,6 x 2,62
15	4	100316098	Flange nut without teeth M8 DIN6923 elgv
16	4	100511306	Blind plug M16x1,5 Plastic
17	17	100323450	Thread forming flange screw M6x16 DIN 7500D
18	4	100511245	Nut M16X1,5 plastic
19	1	100203148	Prefilter 3GPA 592x592x48-F7-0-VEX



Pos.	Pcs.	Part no.	Description
1	1	123125209	Blower cabinet welded, spaceblue
2	1	123125136	Inspection hatch, spaceblue
3	1	123125146	Rotor M Ø400-Ø28
4	1	123125141	Motor bracket, spaceblue
5	1	123125143	Motor plate for B3 motor, spaceblue
6	1	100501089	AC Motor 112M-2p B3 4(4)kW 3x400/690(460)V 50(60)Hz IE3 UL/CSA PTC
7	1	121000060	Washer Ø52 / Ø11 x 3mm
8	1	100308050	Set screw M10x60 DIN 933 NV17 elgv
9	4	100308209	Flange set screw M12x40 DIN 6921 NV16 elgalv
10	4	100316103	Flange nut with threadlock M12 DIN 6926 elgv
11	3	100323492	Vibration damper Ø25 x L30
12	5	100304009	Set screw M8 x 10mm DIN 933, elgalvanized
13	1	100309049	Countersunk screw M8x10 ISO 10642
14	20	100323453	Thread forming flange screw M8x16 DIN 7500D
15	4	100316004	Lock nut M10 DIN 985-6
16	1	123125296	Earthing cable for motor with ringterminals

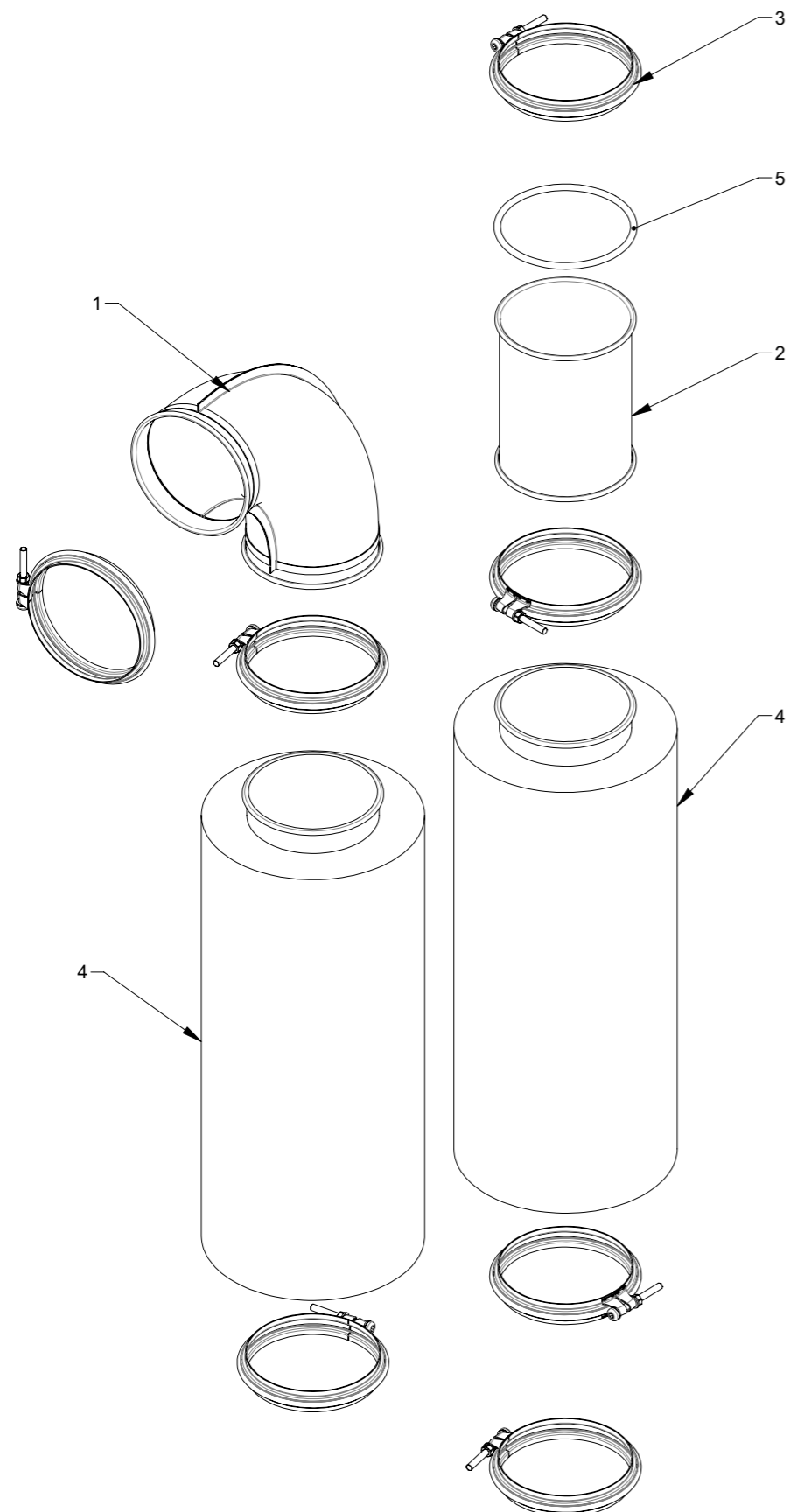


Pos.	Pcs.	Part no.	Description
1	1	123125285	Non-stick blower cabinet, spaceblue
2	1	123125119	Non-stick inspection hatch, spaceblue
3	1	123125288	Non-stick rotor M Ø400-Ø28, incl. washer and screw
4	1	123125142	Non-stick motor bracket, spaceblue
5	1	123125143	Motor plate for B3 motor, spaceblue
6	1	100501089	AC Motor 112M-2p B3 4(4)kW 3x400/690(460)V 50(60)Hz IE3 UL/CSA PTC
7	4	100308209	Flange set screw M12x40 DIN 6921 NV16 elgalv
8	4	100316103	Flange nut with threadlock M12 DIN 6926 elgv
9	3	100323492	Vibration damper Ø25 x L30
10	5	100304009	Set screw M8 x 10mm DIN 933, elgalvanized
11	1	100309049	Countersunk screw M8x10 ISO 10642
12	20	100323453	Thread forming flange screw M8x16 DIN 7500D
13	4	100316102	Flange nut M10 with threadlock DIN 6927
14	1	123125296	Earthing cable for motor with ringterminals

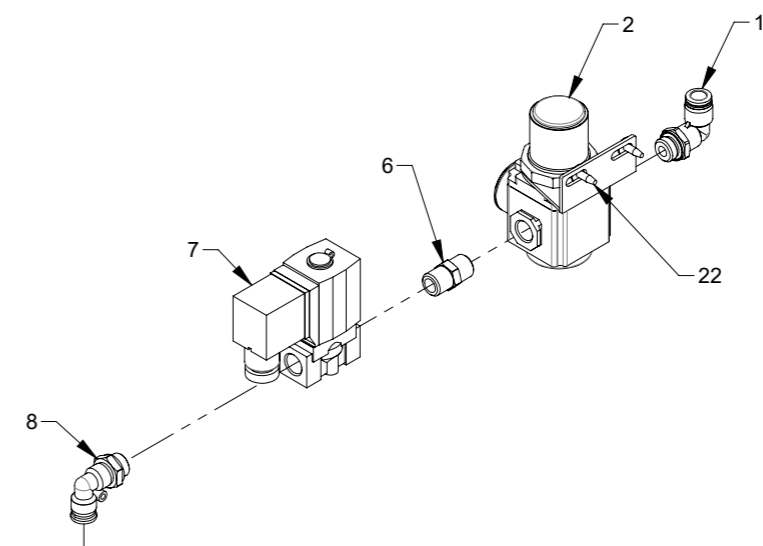
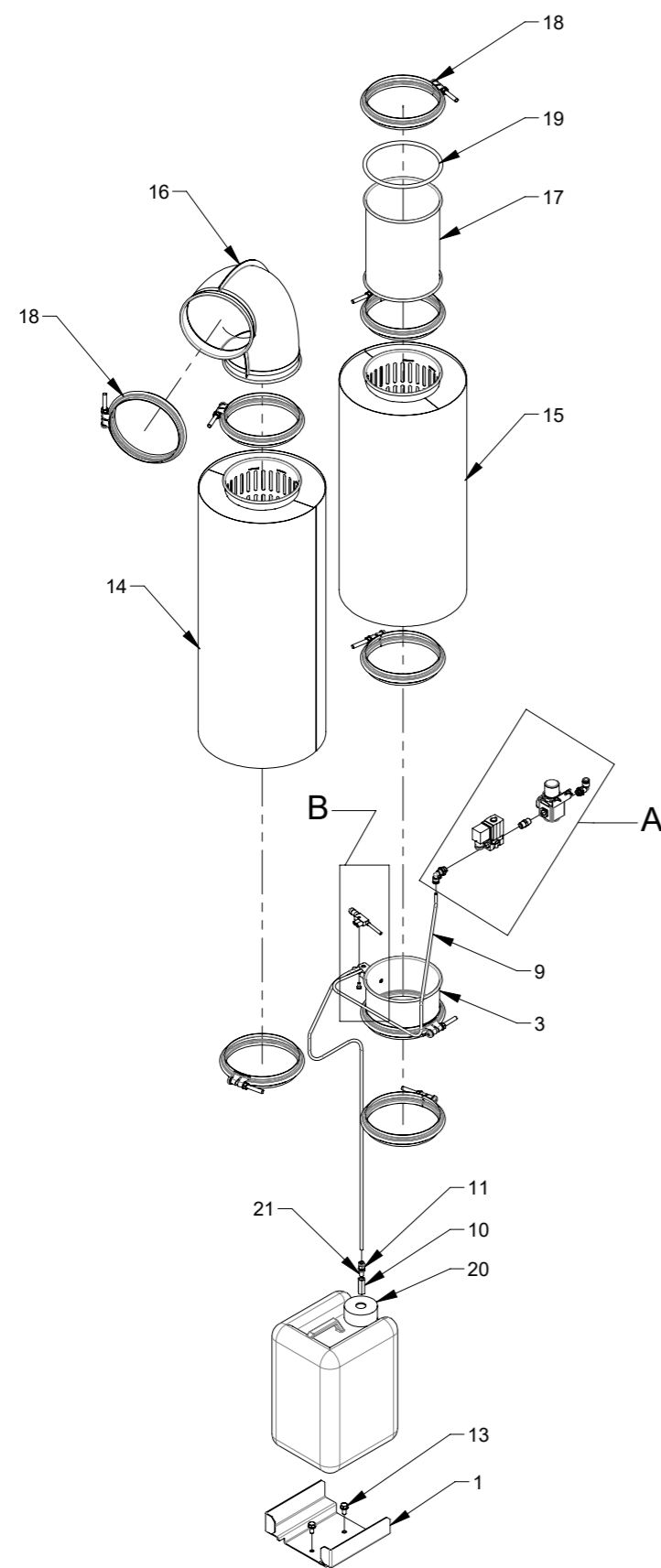


Pos.	Pcs.	Part no.	Description
1	1	146000011	MCB 160-2 cutter 1500(1800)rpm 0,75(0,75)kW 3x400(460)V 50(60)Hz IE3 CE/UL/CSA
2	2	100308140	Flange set screw M8x30 DIN 6921, elgalvanized
3	2	100316108	Flangenut with threadlock M8 DIN 6927 Elgv.
4	1	123125153	Support bracket for cutter
5	4	100323453	Thread forming flange screw M8x16 DIN 7500D

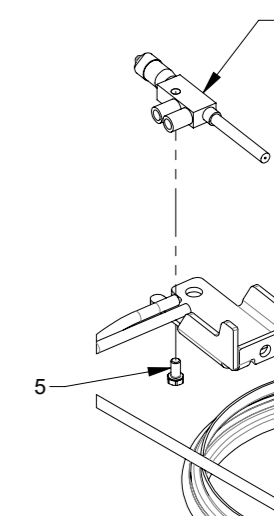




Pos.	Pcs.	Part no.	Description
1	1	122020094	OK 160 bend 90° R = 240 mm, spaceblue
2	1	122010098	OK 160 pipe L=215mm, spaceblue
3	7	122000857	Clamp with bolt OK160
4	2	123125116	Sounddamper SLTR Ø160x690
5	1	122000132	Rubber ring OK160 x Ø8mm

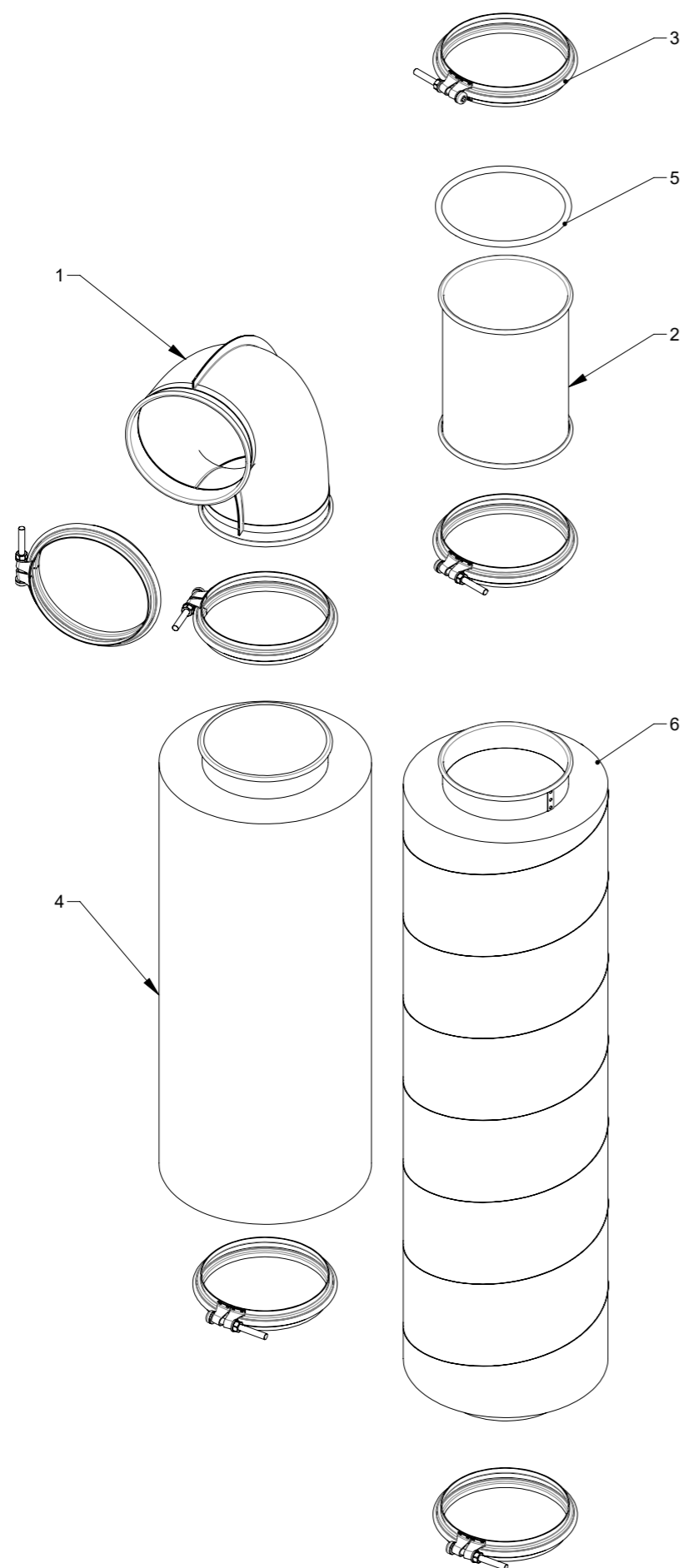


DETAIL A (1 : 4)

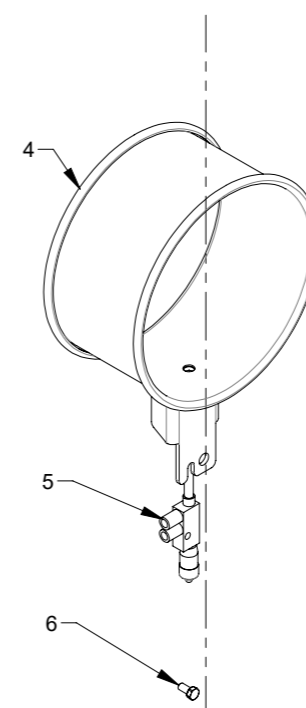
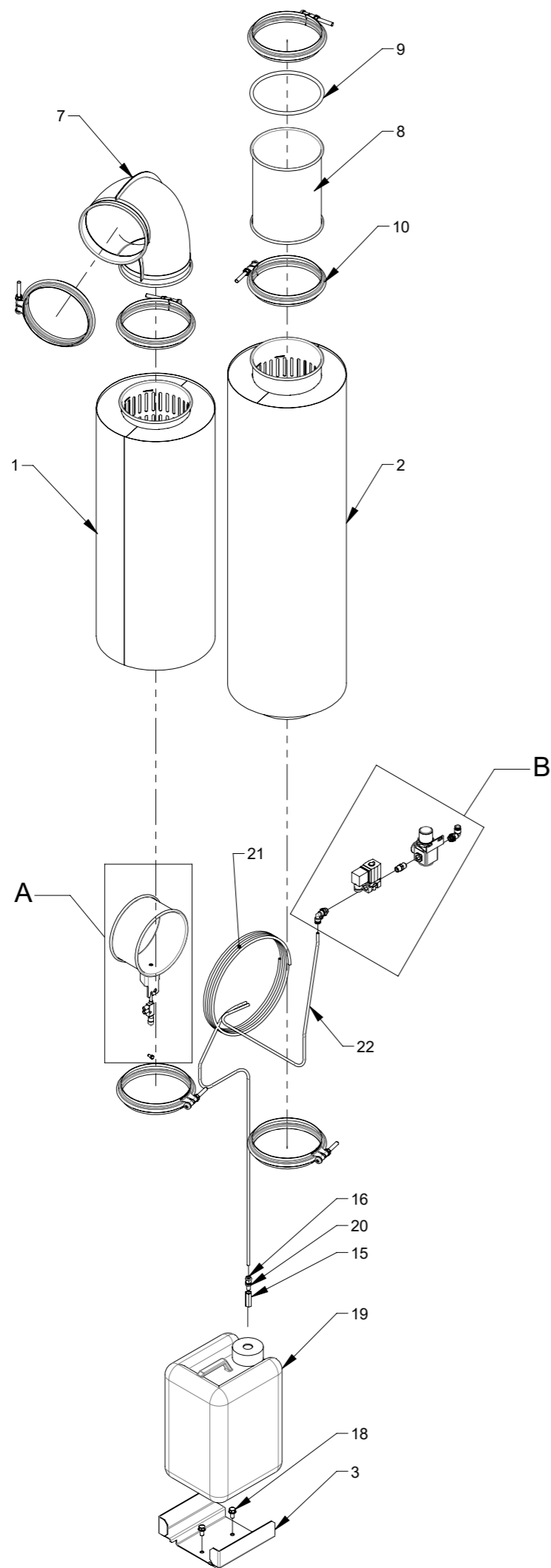


DETAIL B (1 : 4)

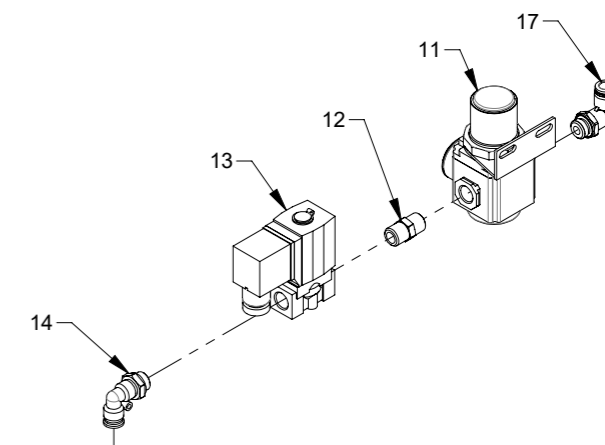
Pos.	Pcs.	Part no.	Description
1	1	123125154	Bracket for oil canister
2	1	100420276	Air regulator G1/4" with bracket
3	1	123125283	Pipe for oil injector, welded
4	1	100420289	Oil injector HPM
5	1	100308013	Set screw M5x10 DIN 933 elgalvanized
6	1	100420251	Nippel G1/4"-G1/4" metal nickel plated
7	1	100420287	Solenoid valve 2/2 G1/4", Fluid/Pneumatik
8	1	100420248	Fitting elbow swivel 1/8" 6mm
9	1	123125199	Hoses for lubrication system
10	1	100420288	Non-return valve Inline G1/8"
11	1	100420249	Fitting straight 1/8" 6mm
12	1	100420273	Fitting 90deg turnable G1/4" 8mm
13	2	100323453	Thread forming flange screw M8x16 DIN 7500D
14	1	123125300	Non-stick silencer L=693
15	1	123125316	Non-stick silencer L=600
16	1	123125290	OK160 90° bend non-stick
17	1	123125291	OK160 pipe L=215mm, non-stick
18	8	122000857	Clamp with bolt OK160
19	1	122000132	Rubber ring OK160 x Ø8mm
20	1	100203164	Plastic container 10L
21	1	100420203	Silencer 1/8"
22	2	100323449	Thread forming flange screw M4x12 DIN 7500C



Pos.	Pcs.	Part no.	Description
1	1	122020094	OK 160 bend 90° R = 240 mm, spaceblue
2	1	122010098	OK 160 pipe L=215mm, spaceblue
3	6	122000857	Clamp with bolt OK160
4	1	123125116	Sounddamper SLTR Ø160x690
5	1	122000132	Rubber ring OK160 x Ø8mm
6	1	131025041	Sound damper OK160 / Ø260x970mm galv.

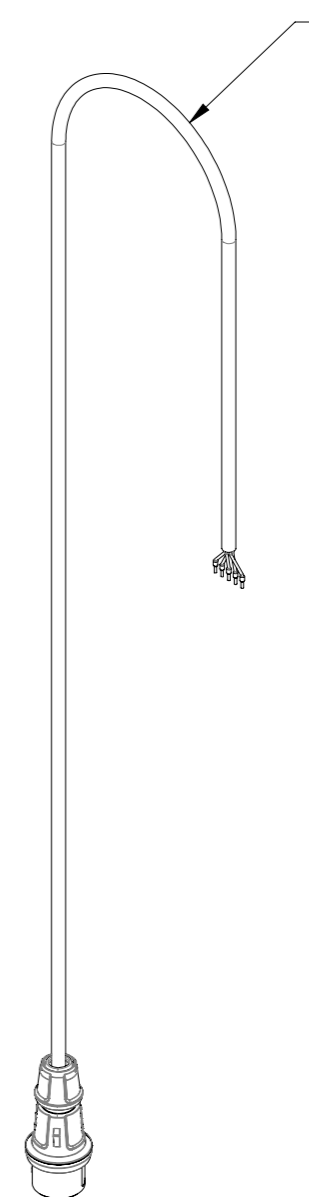
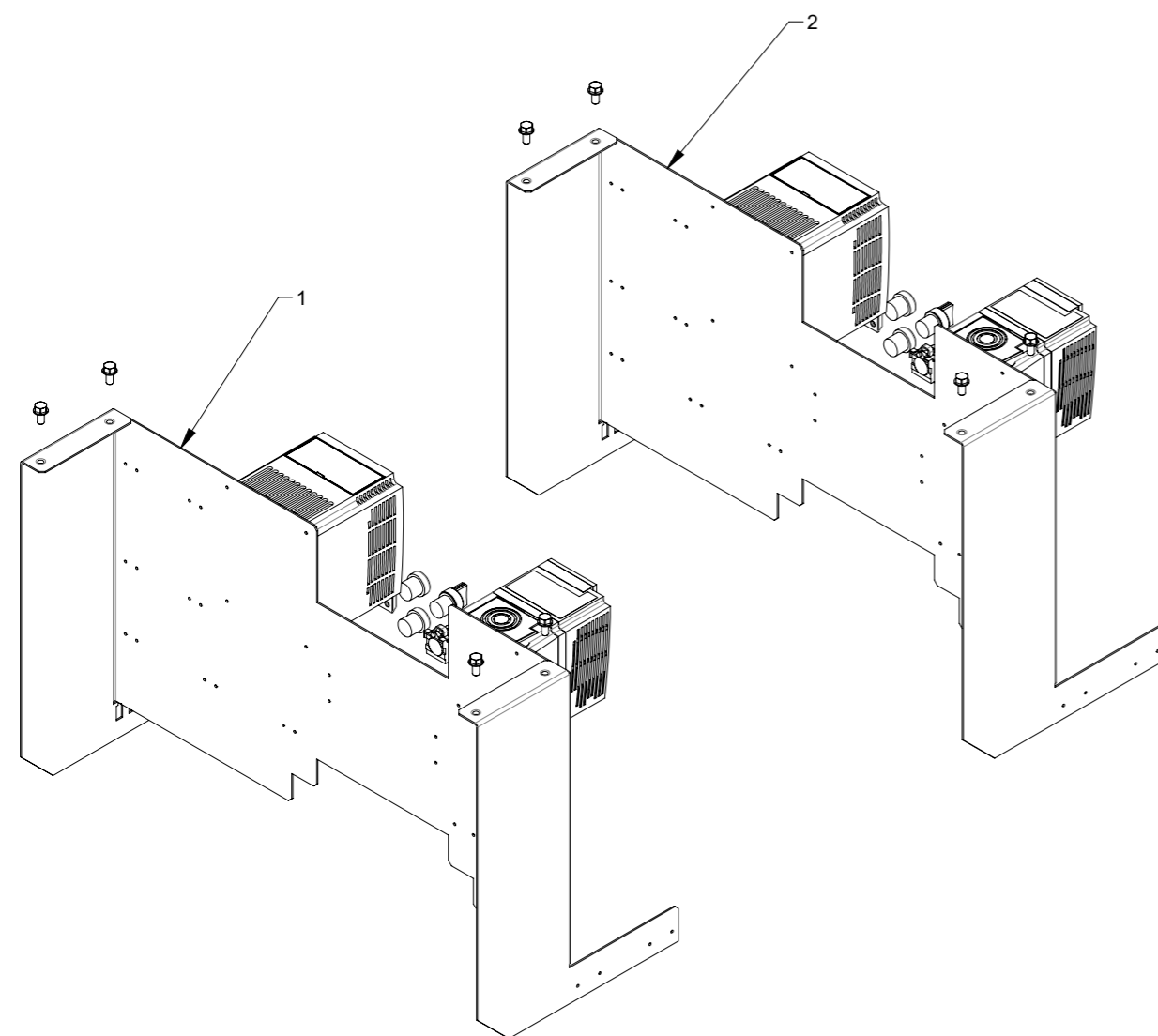


DETAIL A (1 : 5)

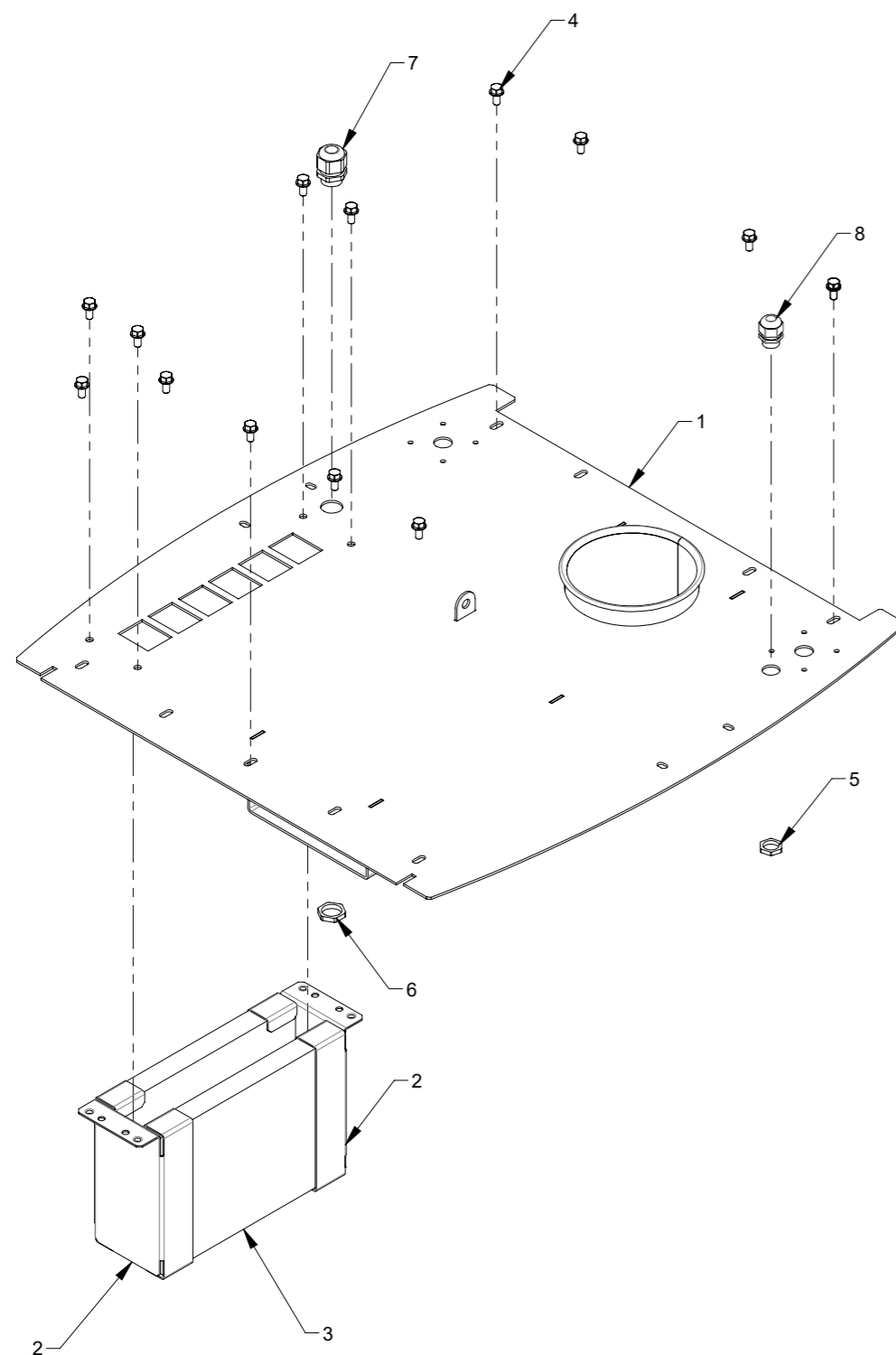


DETAIL B (1 : 5)

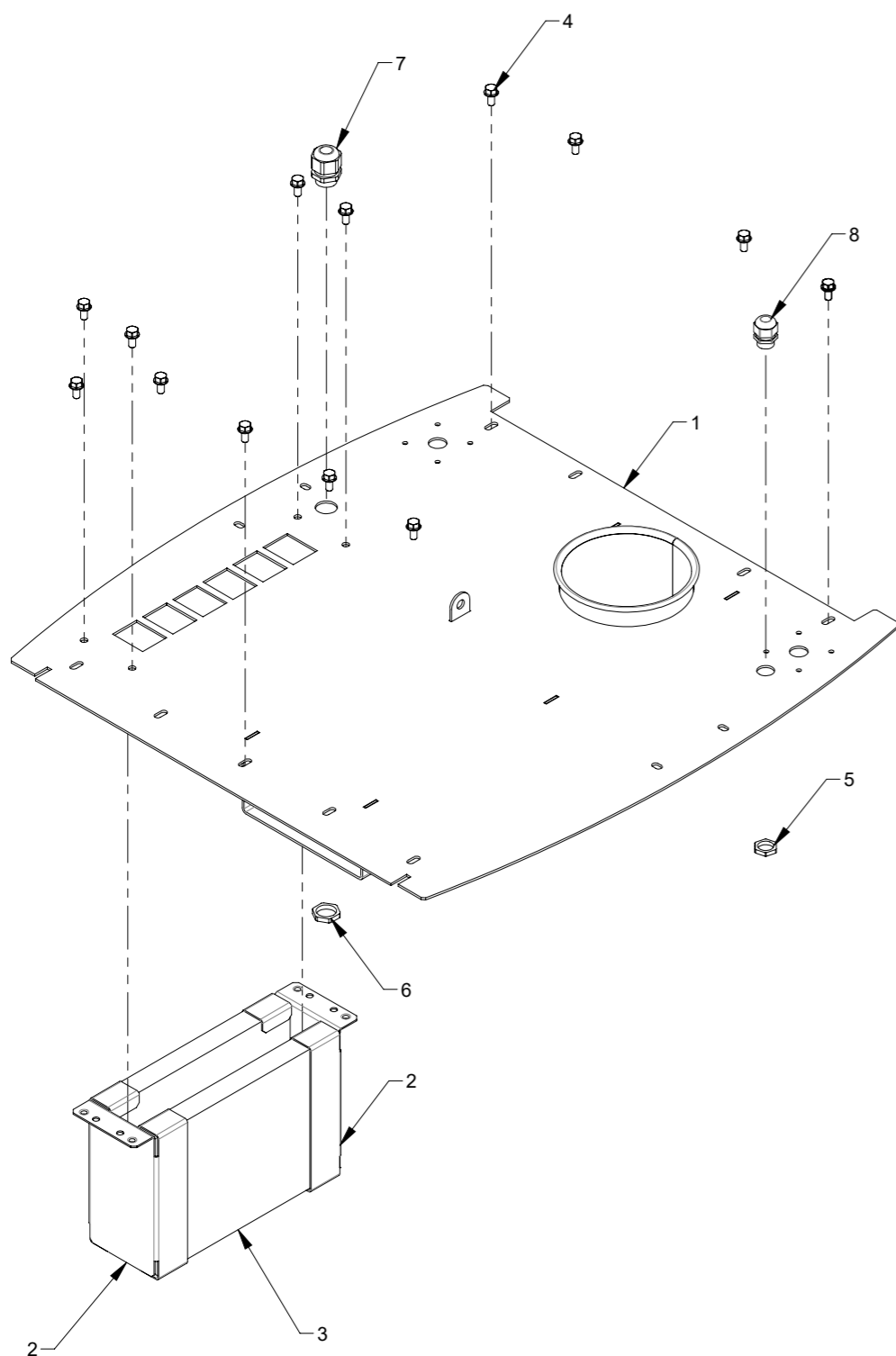
Pos.	Pcs.	Part no.	Description
1	1	123125300	Non-stick silencer L=693
2	1	123125308	Non-stick silencer L=970
3	1	123125154	Bracket for oil canister
4	1	123125283	Pipe for oil injector, welded
5	1	100420289	Oil injector HPM
6	1	100308013	Set screw M5x10 DIN 933 elgalvanized
7	1	123125290	OK160 90° bend non-stick
8	1	123125291	OK160 pipe L=215mm, non-stick
9	1	122000132	Rubber ring OK160 x Ø8mm
10	6	122000857	Clamp with bolt OK160
11	1	100420276	Air regulator G1/4" with bracket
12	1	100420251	Nippel G1/4"-G1/4" metal nickel plated
13	1	100420287	Solenoid valve 2/2 G1/4", Fluid/Pneumatik
14	1	100420248	Fitting elbow swivel 1/8" 6mm
15	1	100420288	Non-return valve Inline G1/8"
16	1	100420249	Fitting straight 1/8" 6mm
17	1	100420273	Fitting 90deg turnable G1/4" 8mm
18	2	100323453	Thread forming flange screw M8x16 DIN 7500D
19	1	100203164	Plastic container 10L
20	1	100420203	Silencer 1/8"
21	1	100420210	25m pneumatic hosee Ø6/Ø4 blue
22	1	123125199	Hoses for lubrication system



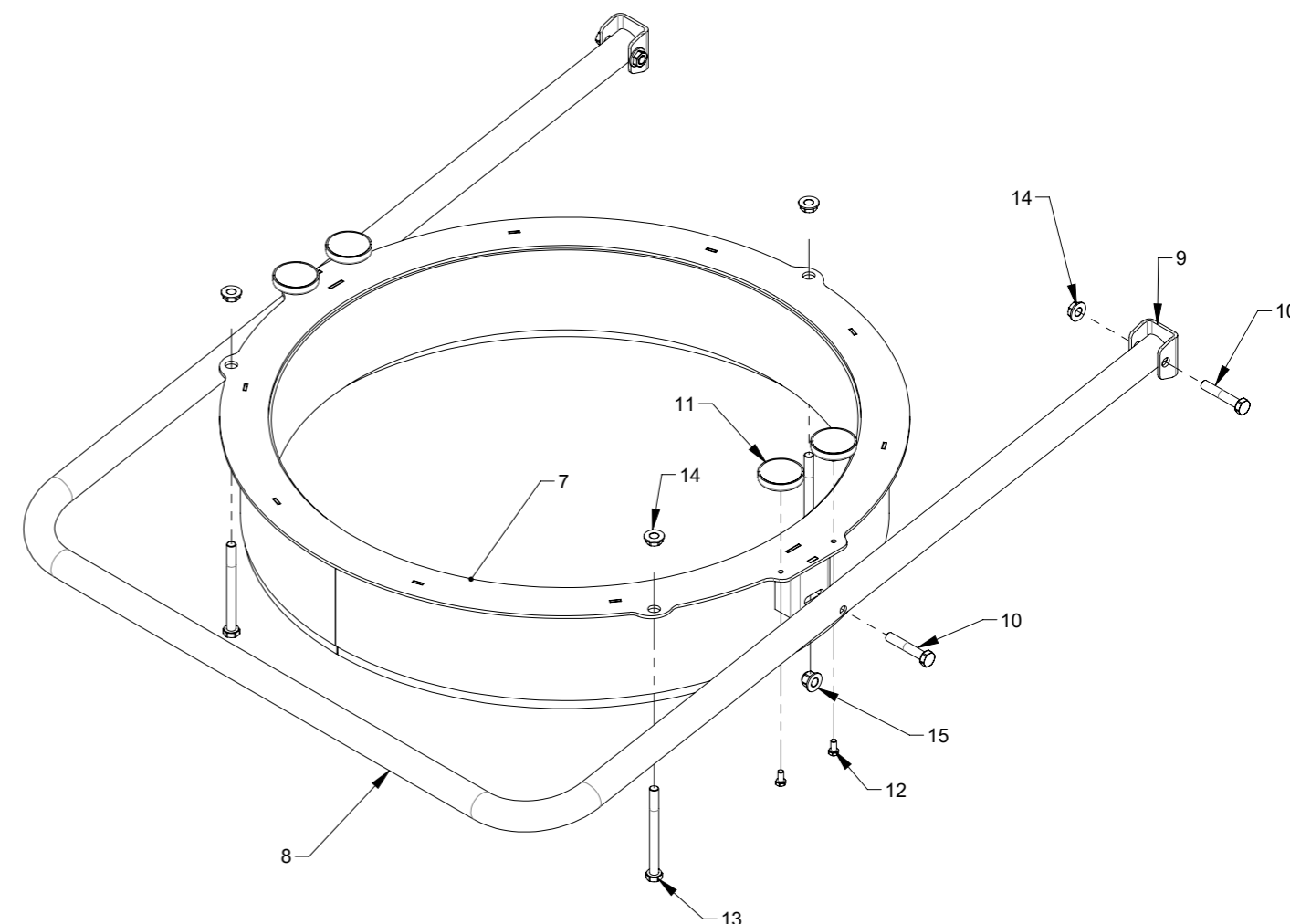
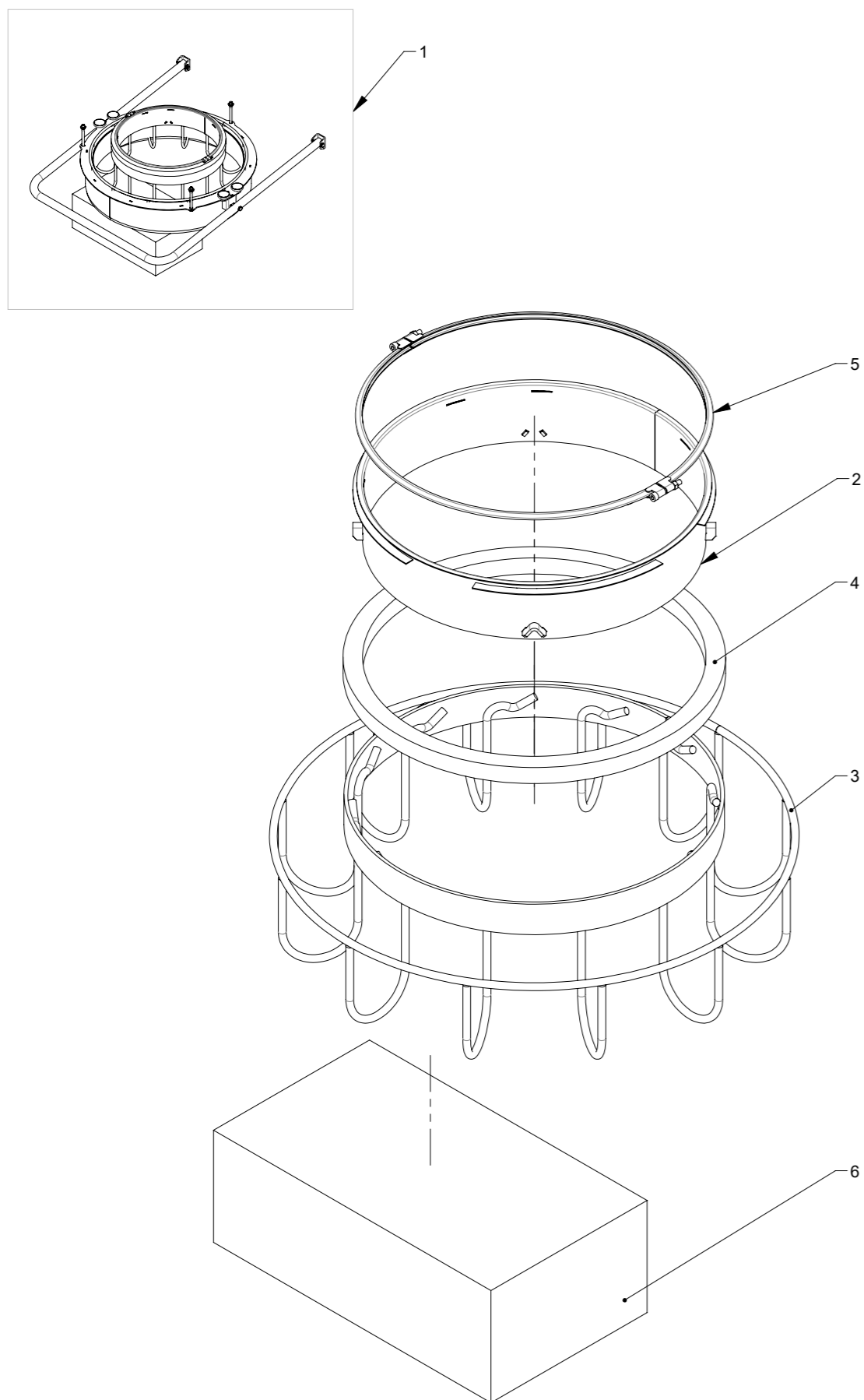
Pos.	Pcs.	Part no.	Description
1	1	123125047	Controls 2,2kW CE, assembled
2	1	123125048	Controls 4kW CE, assembled
3	1	123125045	Powercable with CEE plug 16A 5 pole 2,5mm <sup>2</sup>



Pos.	Pcs.	Part no.	Description
1	1	123125206	Top for cabinet, anthracite grey
2	2	123125155	Sound dampener bracket
3	2	123125156	Silencer foam
4	14	100323453	Thread forming flange screw M8x16 DIN 7500D
5	1	100511215	Nut M20X1,5 plastic
6	1	100511191	Nut M25 x 1,5 plastic
7	1	100511182	Cable screw gland M25x1,5 plastic
8	1	100511260	Cable screw gland M20x1,5

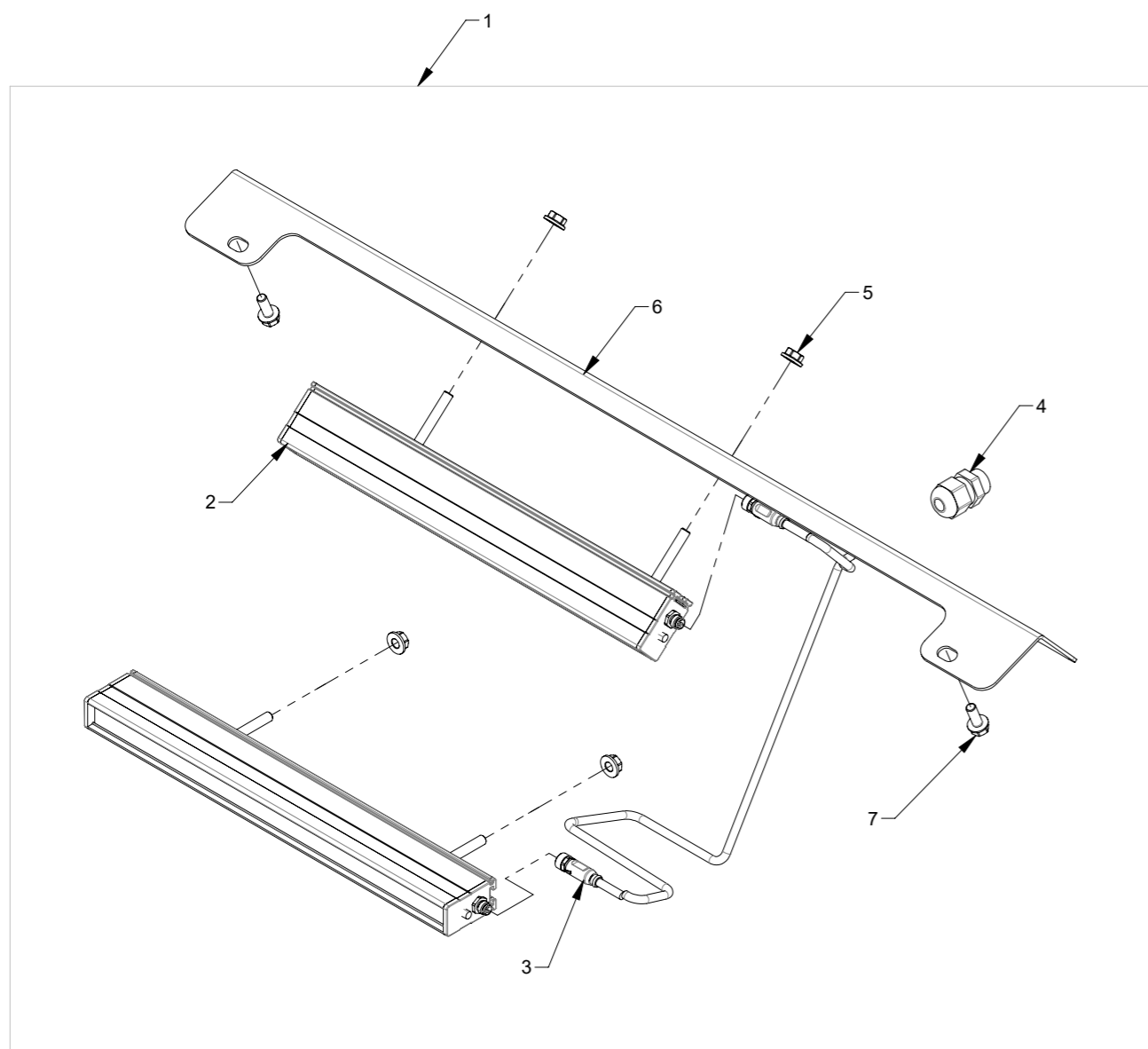


Pos.	Pcs.	Part no.	Description
1	1	123125208	Non-stick top for cabinet, anthracite grey
2	2	123125155	Sound dampener bracket
3	2	123125156	Silencer foam
4	14	100323453	Thread forming flange screw M8x16 DIN 7500D
5	1	100511215	Nut M20X1,5 plastic
6	1	100511191	Nut M25 x 1,5 plastic
7	1	100511182	Cable screw gland M25x1,5 plastic
8	1	100511260	Cable screw gland M20x1,5

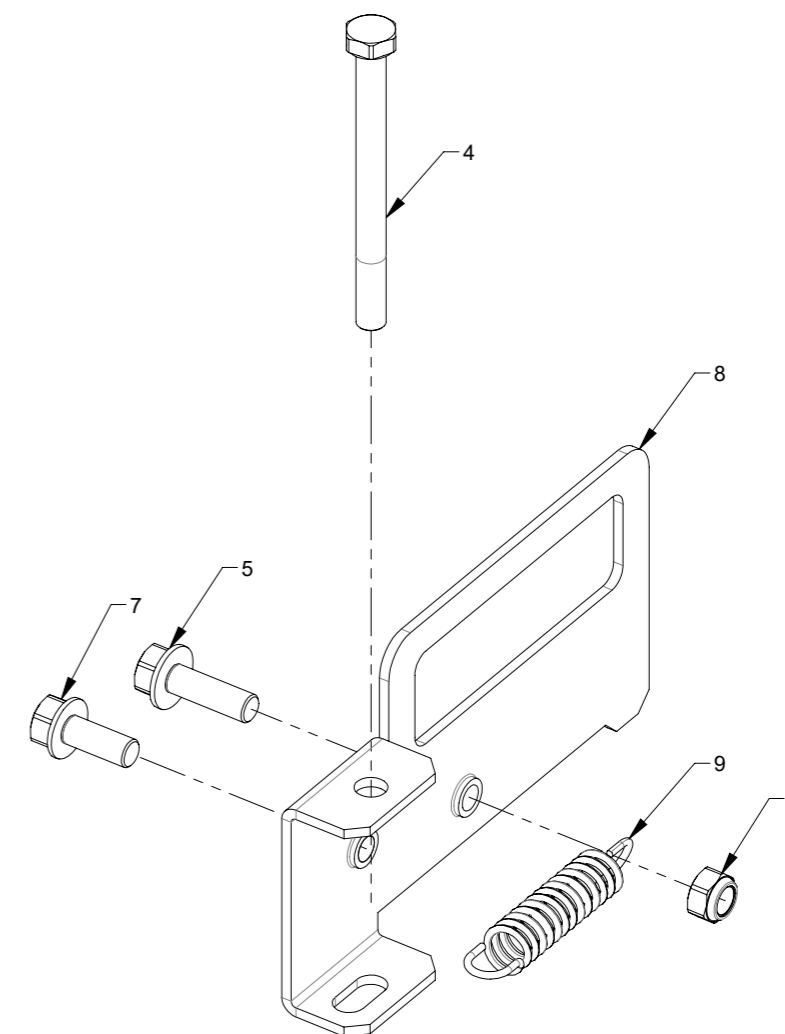
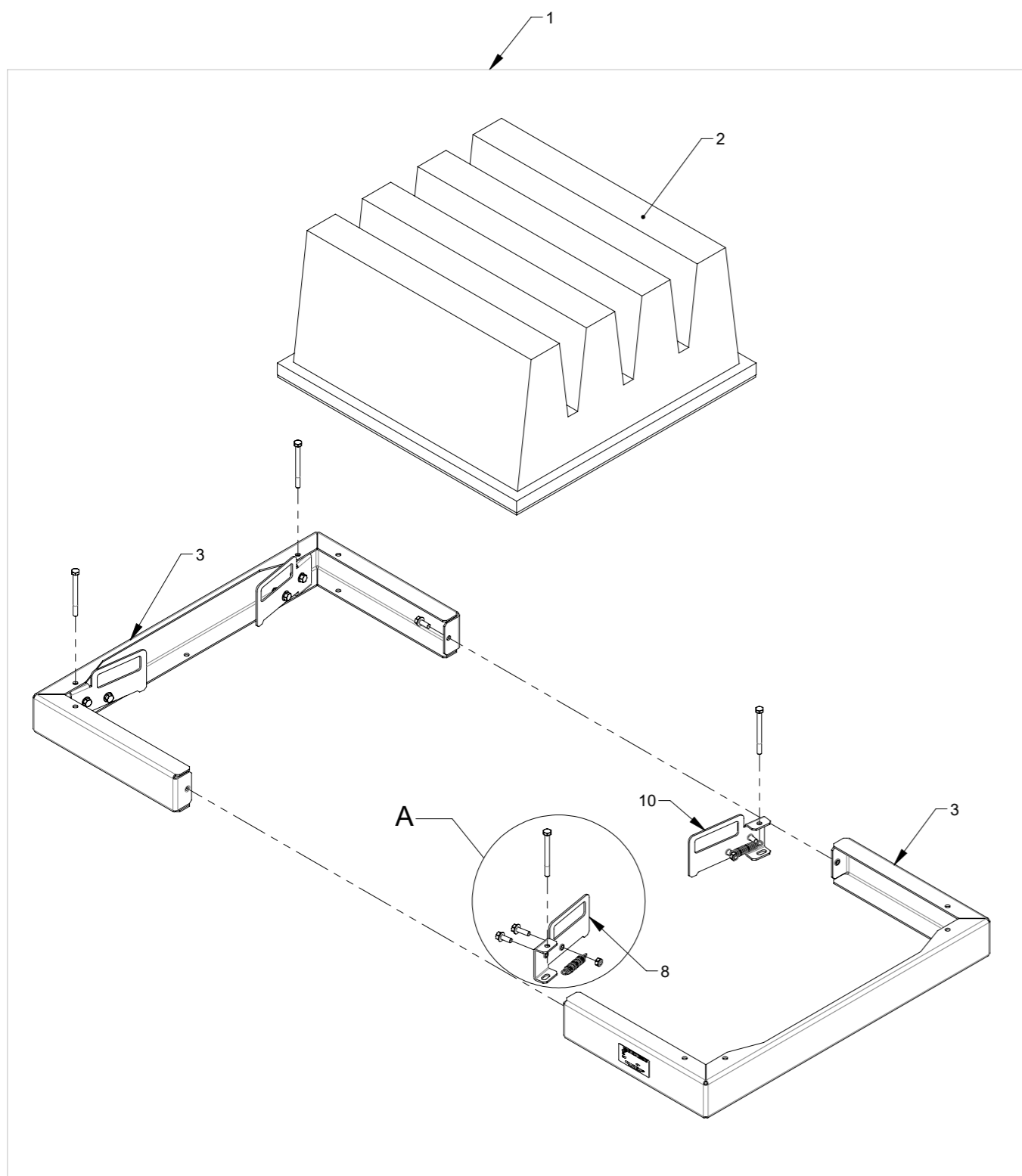


Pos.	Pcs.	Part no.	Description
1	1	123125605	Endless bag system
2	1	123125194	Basket holder for endless bags
3	1	123125182	Basket for endless bag
4	1	123125178	Sealing for basket holder
5	1	9251683011	FK 350 bolt clamp, 1mm galv
6	2	100203167	Endless bag, cassette of 70m, Ø570mm Maxi, extra strong, transparant
7	1	123125431	Ring for bag lock assembled
8	1	123125439	Bag lock handle
9	2	123125438	Mounting bracket for bag lock handle
10	4	100306020	Screw M8x45 DIN 931 elgalv.
11	4	100323447	Magnet Ø40xM5 125N
12	4	100308013	Set screw M5x10 DIN 933 elgalvanized
13	3	100306026	Screw M8 x 90mm DIN 931, elgalvanized
14	5	100316091	Flange nut M8 with serration DIN9623
15	2	100316093	Flange lock nut M8 DIN 6926



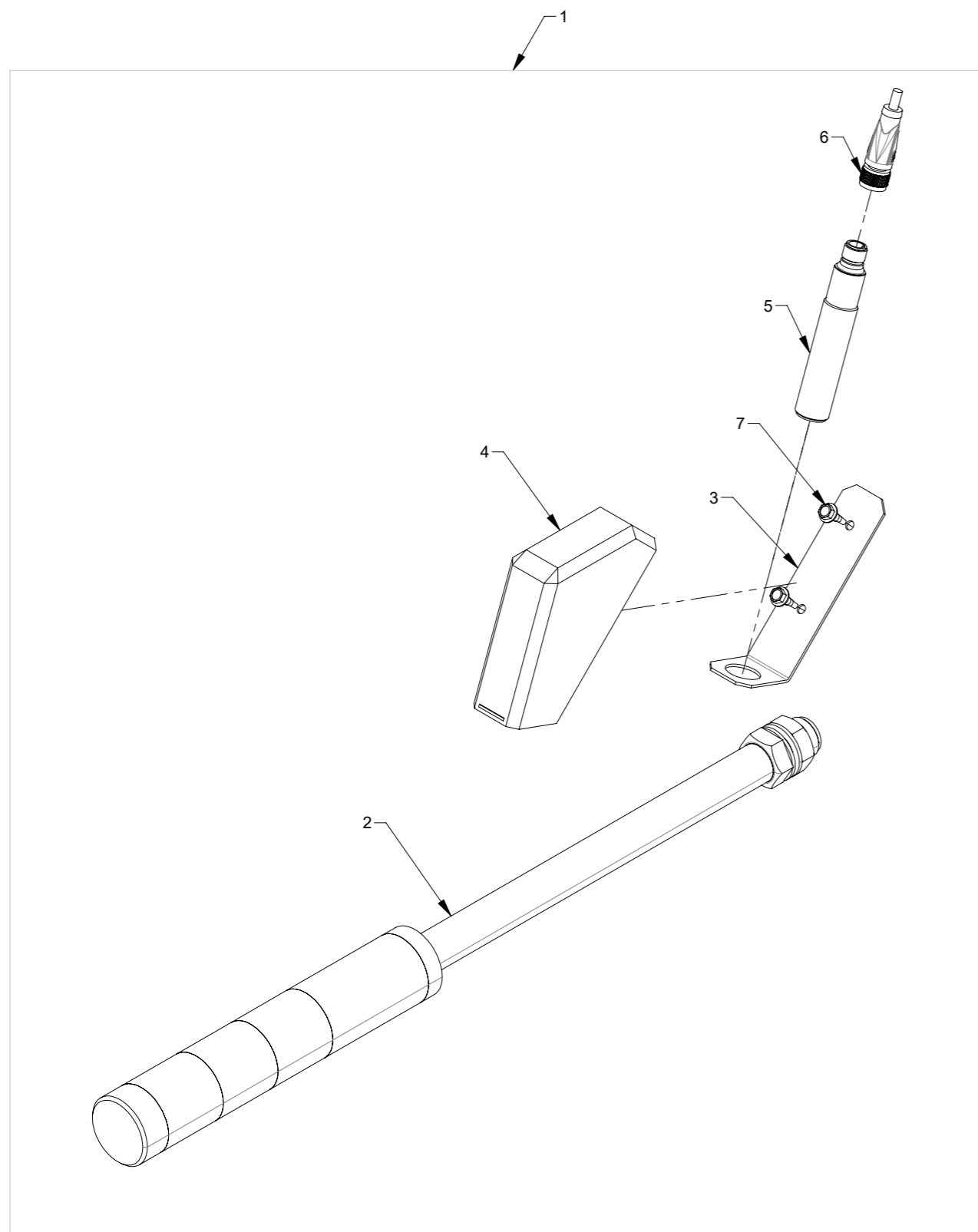


Pos.	Pcs.	Part no.	Description
1	1	123125064	Antistatic kit
2	2	100503424	Antistatic rod 24VDC 300mm
3	2	100503427	Sensor cable M8 plug 4P 5m
4	1	100511244	Cable gland M16x1,5
5	4	100316075	Flange nut with threadlock M6 DIN 6927
6	1	123125471	Retainer for antistatic bar
7	2	100323450	Thread forming flange screw M6x16 DIN 7500D

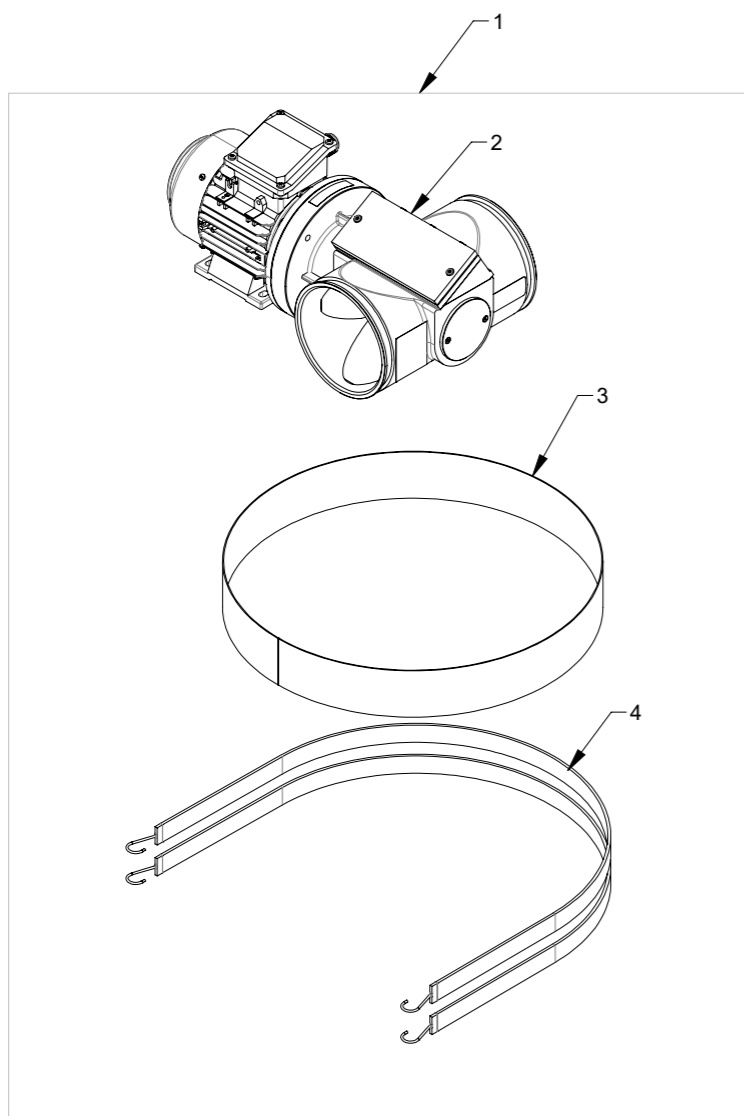


DETAIL A (1 : 2)

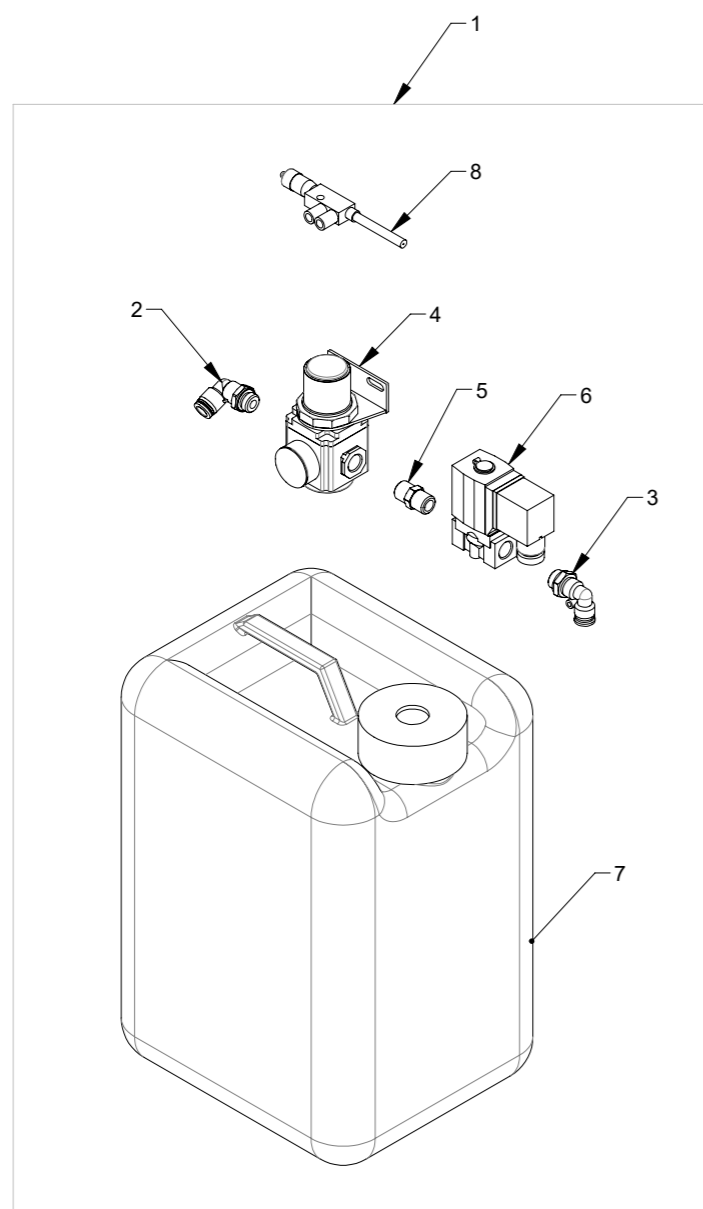
Pos.	Pcs.	Part no.	Description
1	1	123125029	HEPA Filter option
2	1	100203147	Hepa Filter VGHF14-592x592x292-F
3	2	123125196	Filter bracket half part
4	4	100306026	Screw M8 x 90mm DIN 931, elgalvanized
5	4	100323381	Flange set screw M8x25 DIN 6921
6	4	100316003	Self locking nut M8 DIN 985-6, elgalvanized
7	6	100323454	Thread forming flange screw M8x20 DIN 7500D
8	2	123125198	Filter locking handle right
9	4	100323491	Spring Ø2XØ14X50 Fn=164N Pianowire, Sodemann 32340
10	2	123125197	Filter locking handle left



Pos.	Pcs.	Part no.	Description
1	1	123125037	Ultrasound sensor with light tower
2	1	100503425	Light tower Ø45 red/orange/green
3	1	123125370	Bracket for ultrasound sensor
4	1	123125371	Cover for ultrasound sensor
5	1	100503428	Ultrasound sensor
6	1	100503323	Cable for ultrasound sensor, straight
7	2	100323497	Self-drilling screw Ø4,2x16 ISO15480



Pos.	Pcs.	Part no.	Description
1	1	123125612	CB/CUB spare part kit
2	1	146000011	MCB 160-2 cutter 1500(1800)rpm 0,75(0,75)kW 3x400(460)V 50(60)Hz IE3 CE/UL/CSA
3	1	123125190	EPDM band for cyklone
4	2	100323496	Rubberstrap with hooks 120cm black



Pos.	Pcs.	Part no.	Description
1	1	123125613	CB/CUB Matrix oil accessory kit
2	1	100420273	Fitting 90deg turnable G1/4" 8mm
3	1	100420248	Fitting elbow swivel 1/8" 6mm
4	1	100420276	Air regulator G1/4" with bracket
5	1	100420251	Nippel G1/4"-G1/4" metal nickel plated
6	1	100420287	Solenoid valve 2/2 G1/4", Fluid/Pneumatik
7	1	100203164	Plastic container 10L
8	1	100420289	Oil injector HPM



Website

[www.matho.com](http://www.matho.com)

Email

[office@matho.com](mailto:office@matho.com)

Telephone

+49 7363 9547440

