

# CB-100

The All-in-One system CB-100 is a cutting and extraction system dedicated for the extraction of non-adhesive or self-adhesive trims, die-cut pieces and matrix from one production line. Extremely compact and robust manufactured, you even can use it mobile from one machine to the other.

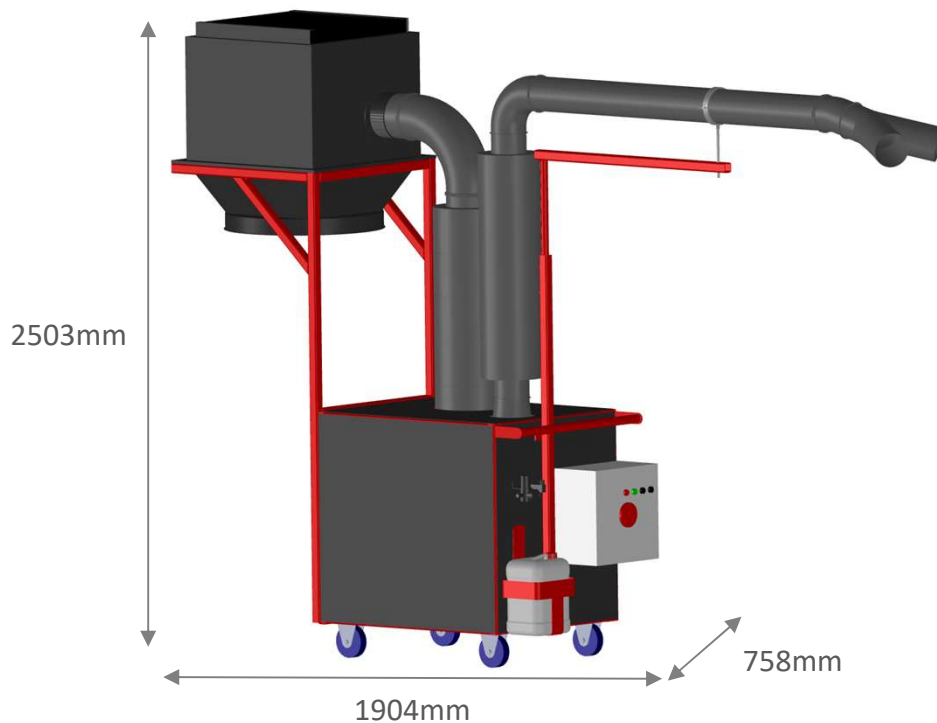
The unit can be delivered with one 300l PE-bag, a roll container or an octabine as collection device.

### Single parts:

- 🌀 Closed machine frame
- 🌀 Swiveling holding frame for the pipe system
- 🌀 Inline cutter
- 🌀 Transportation fan (power frequency controlled)
- 🌀 Two piping silencers
- 🌀 Electrical control cabinet incl. frequency converter
- 🌀 Filter plate with filter class G4
- 🌀 Material separator
- 🌀 5m Pipes

### Options:

- 🌀 Oil spray system
- 🌀 Anti static system
- 🌀 Intake funnel
- 🌀 Anti sticking coating for pipes
- 🌀 Gate valve for bag changes
- 🌀 Endless bag
- 🌀 Ultrasonic-reflex feeler
- 🌀 Professional dust filter system



Dimensions shown are representative of standard model and are for planning purpose only.