

Cutter GR

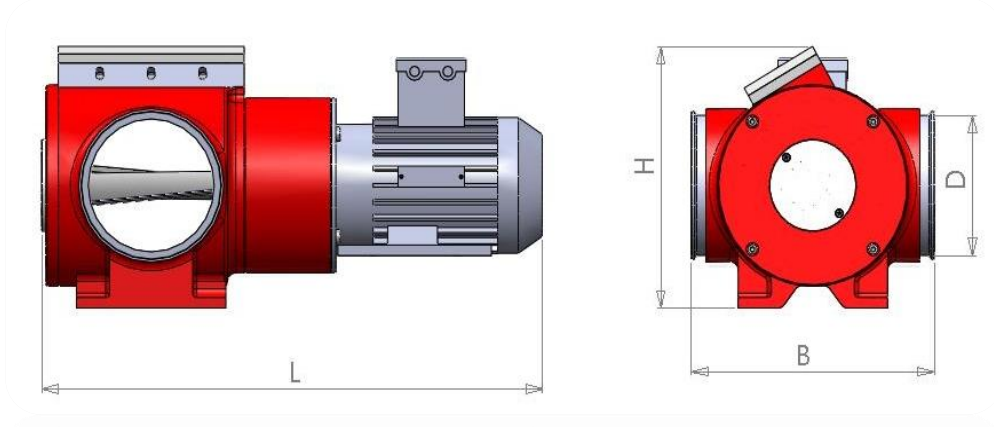
MATHO designs and manufactures unique inline cutter for different materials and industries.

The units are designed to fit into already existing waste extraction systems or as the „heart piece“ of every system from MATHO.

With these cutters we are able to cover many applications and cut a lot of different materials at lowest air resistance, highest throughput rates at a very high reliability.



Technical data & Dimentions:



Type	D (mm)	Power (KW)	U/min.	L (mm)	B(mm)	H(mm)	Weight (kg)
GR-100	100	0,55	2800	392	254	198	22*
GR-160	160	0,75	1400	517	284	208	34*
GR-180	160	0,75	1400	655	293	300	65*
GR-200	200	1,5	1400	720	350	310	80*

* incl. Motor

Dimensions shown are representative of standard model and are for planning purpose only.